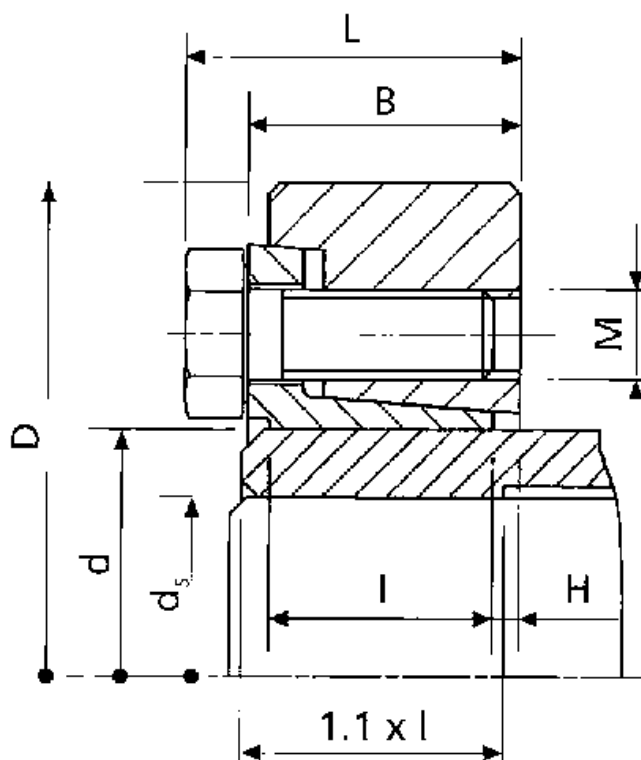


Article number: 437900095

Description: Rota-fix shaft-hub connection SA 95

Measures



B mm	= 43.5	M mm	= M10
d H8 mm	= 95	T N m torque	= 6200
D mm	= 170.0	Ts N m bolt tightening torque	= 60
ds mm	= 70		
F kN torque	= 186		
H	= 4.5		
I mm	= 36.5		
L mm	= 50.5		